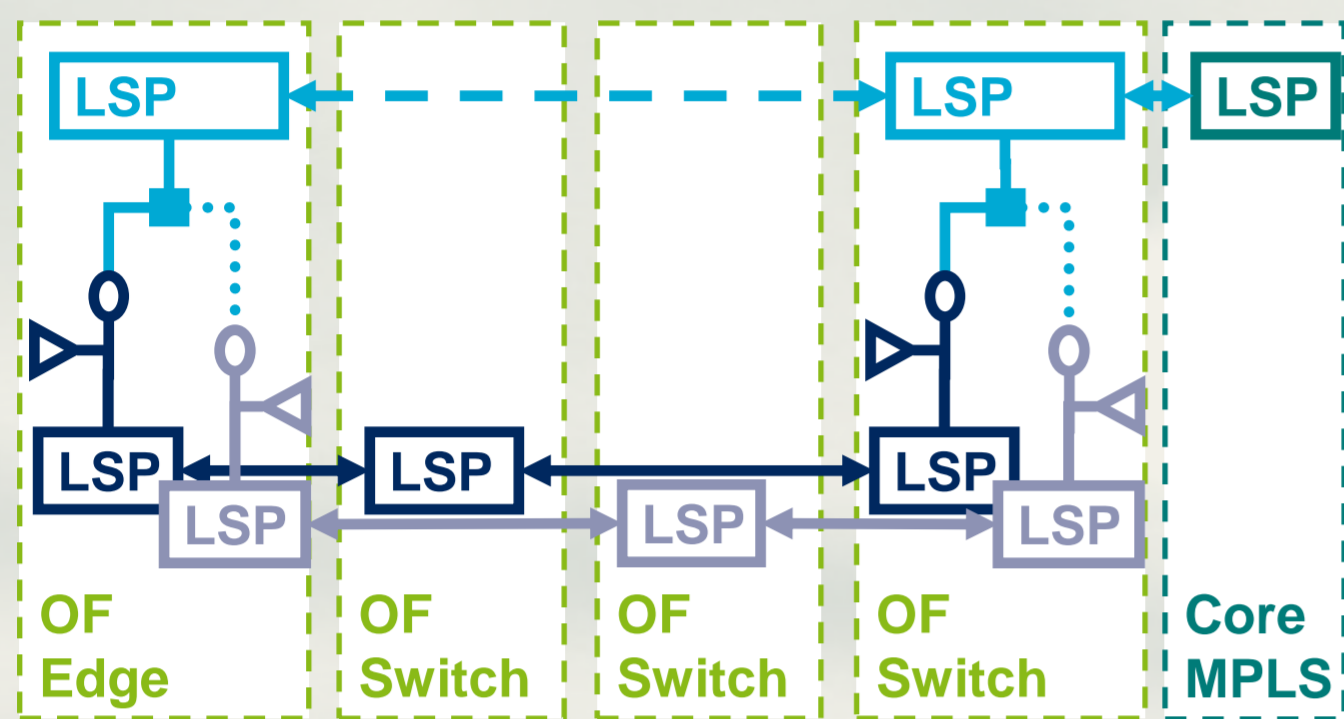


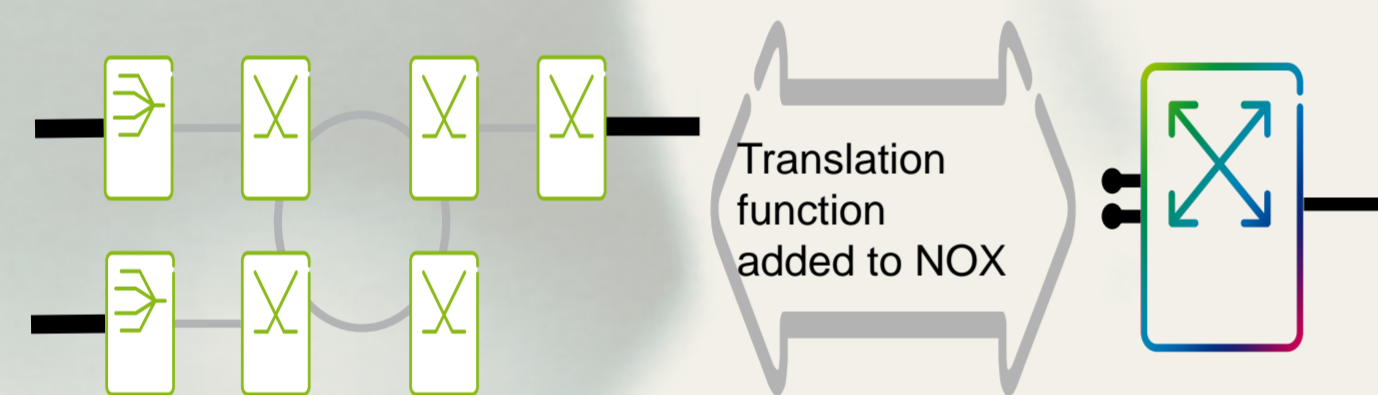
## Floating BRAS: Virtualized service nodes over access/aggregation

### OpenFlow provisioned MPLS aggregation

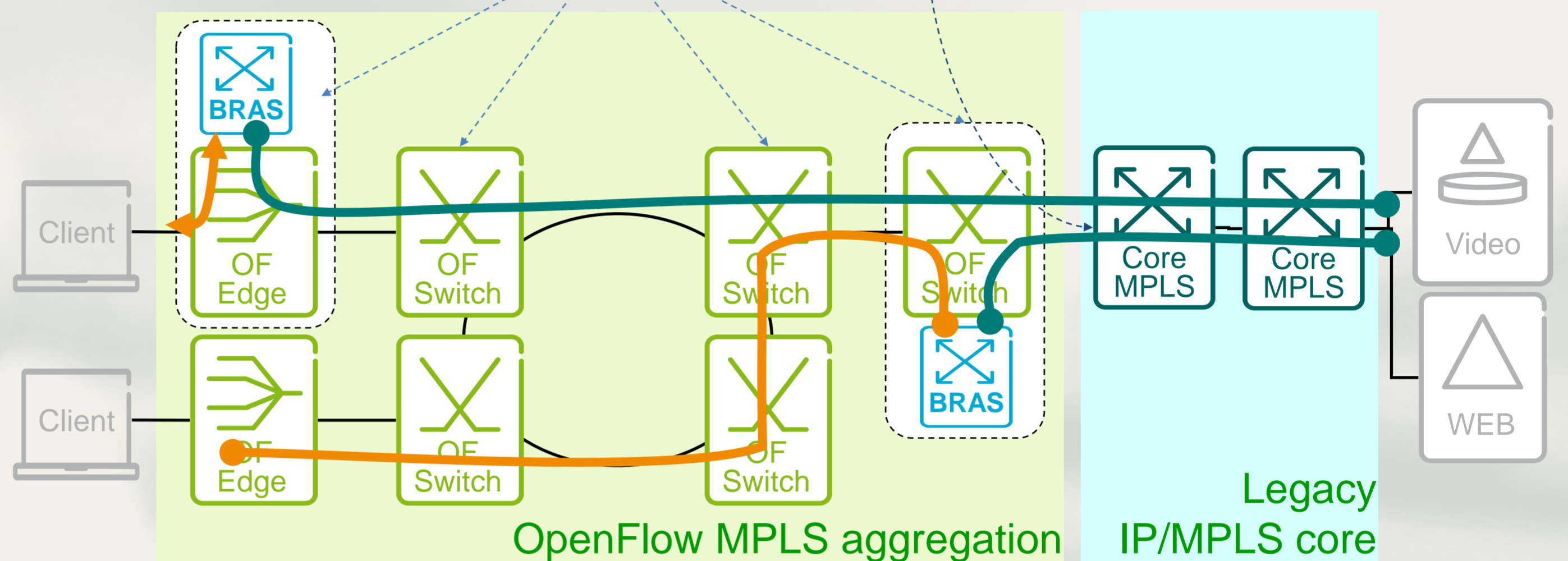
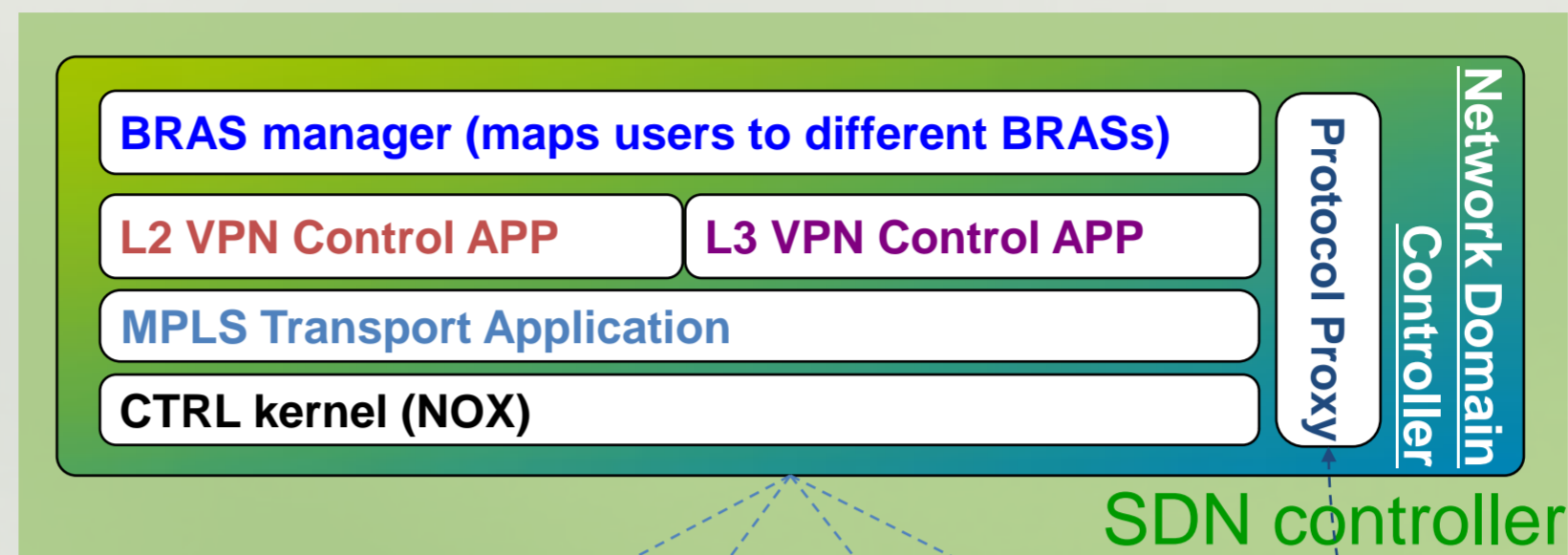


- Forwarding: PtP & PtMP tunnels
- Restoration by controller
- Protection & OAM by forwarding

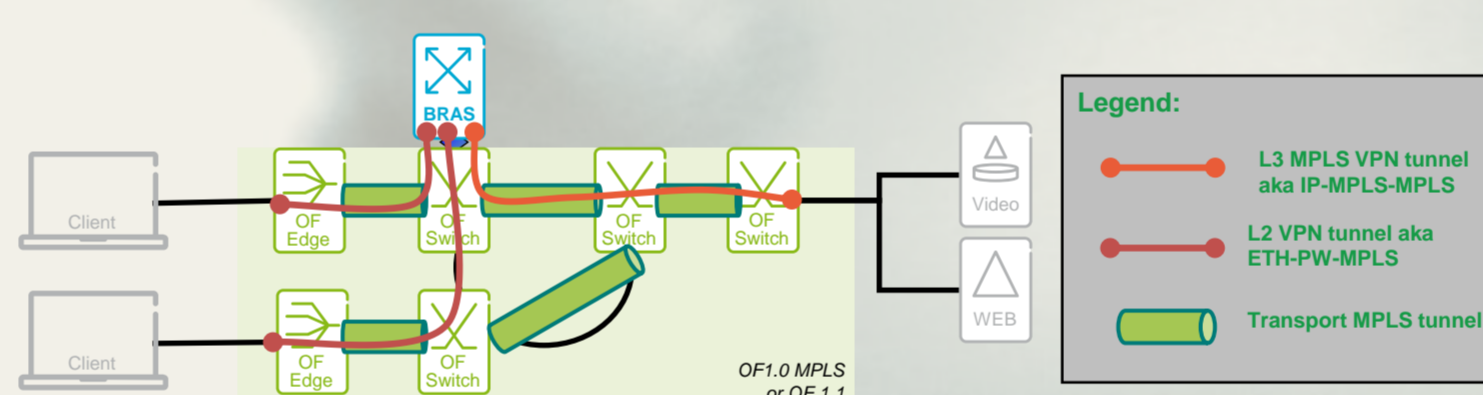
### Interact with legacy MPLS control plane



- OpenFlow domain abstracted as single virtual router
- Legacy protocol proxy AS controller App

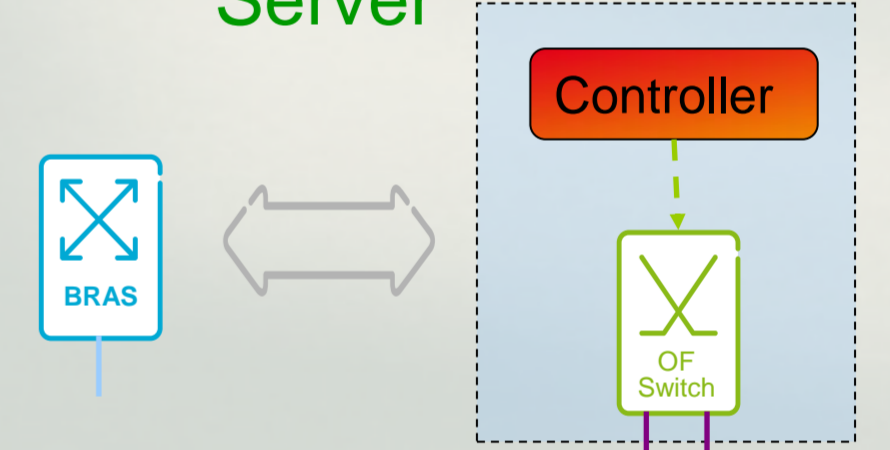


### Transport services with Pseudowire



- Flexible Encapsulation on top of MPLS transport tunnels
- Our protocol stack: PPP over Ethernet over Pseudowire over MPLS transport

### Broadband Remote Access Server



- BRAS is realized as Open-Flow switch & controller combination

### Demo includes

- Flexible placement & configuration of split BRAS functions at not only at higher aggregation but also close to the end users
- Configuration of the pseudo-wire based Ethernet service between the customer facing edge nodes and the BRAS implementing ones over the MPLS transport

